

TECHNICAL SPECIFICATIONS



Tara™ Whirlpool Bath

TAR6060 WCR 2XX Tara Whirlpool Bath Right Hand (8450)
 TAR6060 WCL 2XX Tara Whirlpool Bath Left Hand (B950)

Tara™ Bath

TAR6060 BCX XXX Tara Soaker Bath (9191)

INSTALLATION NOTES

Refer to installation instructions included with fixture before beginning installation. Please confirm product availability and specifications before commencing with any installation work.

PRODUCT SPECIFICATIONS AND AVAILABILITY ARE SUBJECT TO CHANGE WITHOUT NOTICE.

KEY DIMENSIONS

DIMENSIONS

60" L x 60" L x 20-3/4" H
 (1524 mm) L x (1524 mm) L x (527 mm) H

DRAIN/OVERFLOW

A: 16" (406 mm) B: 12-3/8" (314 mm)

CUTOUT

See Illustration Below

TOTAL WEIGHT

B950, 8450: 984 lb (446 kg) / 39 lb/sq. ft. (192 kg/m²)

9191: 942 lb (427 kg) / 38 lb/sq. ft. (184 kg/m²)

OPERATING GALLONAGE

74 U.S. Gal. (280 Liters)

Max. 87 U.S. Gal. (329 Liters)

PRODUCT WEIGHT

B950, 8450: 118 lb (54 kg)

9191: 76 lb (34kg)

SKIRT MOUNTING

Optional Skirt # 9930

ELECTRICAL SPECIFICATIONS MODELS B950, 8450 ONLY

Requires a dedicated GFCI protected separate circuit.

Motor/Pump: 120 VAC, 15 AMP, 60 Hz.

RapidHeat™: 120 VAC, 15 AMP, 60 Hz.

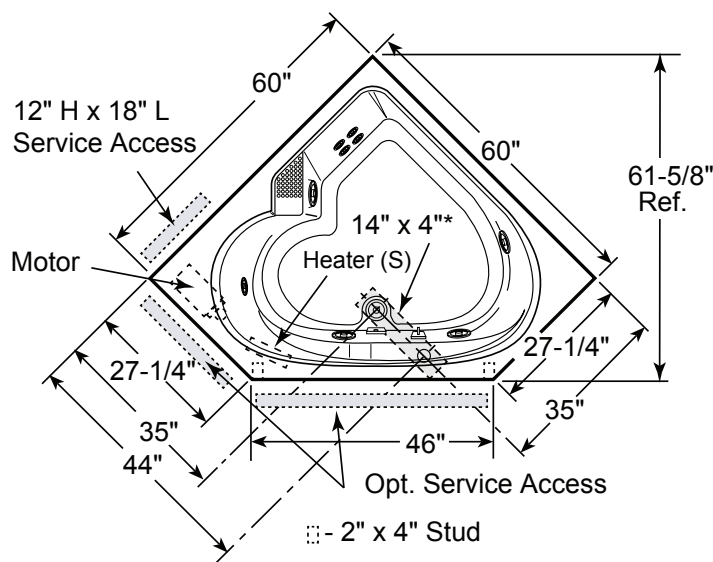
HEATER (OPTIONAL) MODELS B950, 8450 ONLY

Requires a dedicated GFCI protected separate circuit.

RapidHeat™: P/N S750000

FEATURES, UPGRADES & ACCESSORIES

- Center Drain Location
- Accessories / Hardware:
 - Trip-Lever Drain Kit #X559
 - Rotary Trip Kit, 26" Cable: #8730
 - TheraPro™ Jet Rings Kit: #D095
 - AccuPro™ Jet Rings Kit (2 required): #P556
- Trim Kit Finishes Available:
 - (827) – Chrome
 - (826) – Brushed Nickel
 - (849) – Oil Rubbed Bronze



Product Shown: Tara Corner Whirlpool Bath Model: 8450

* Measurements inside unit represent cutout in floor to allow for drain/overflow. Minimum Service Access dimensions given.

